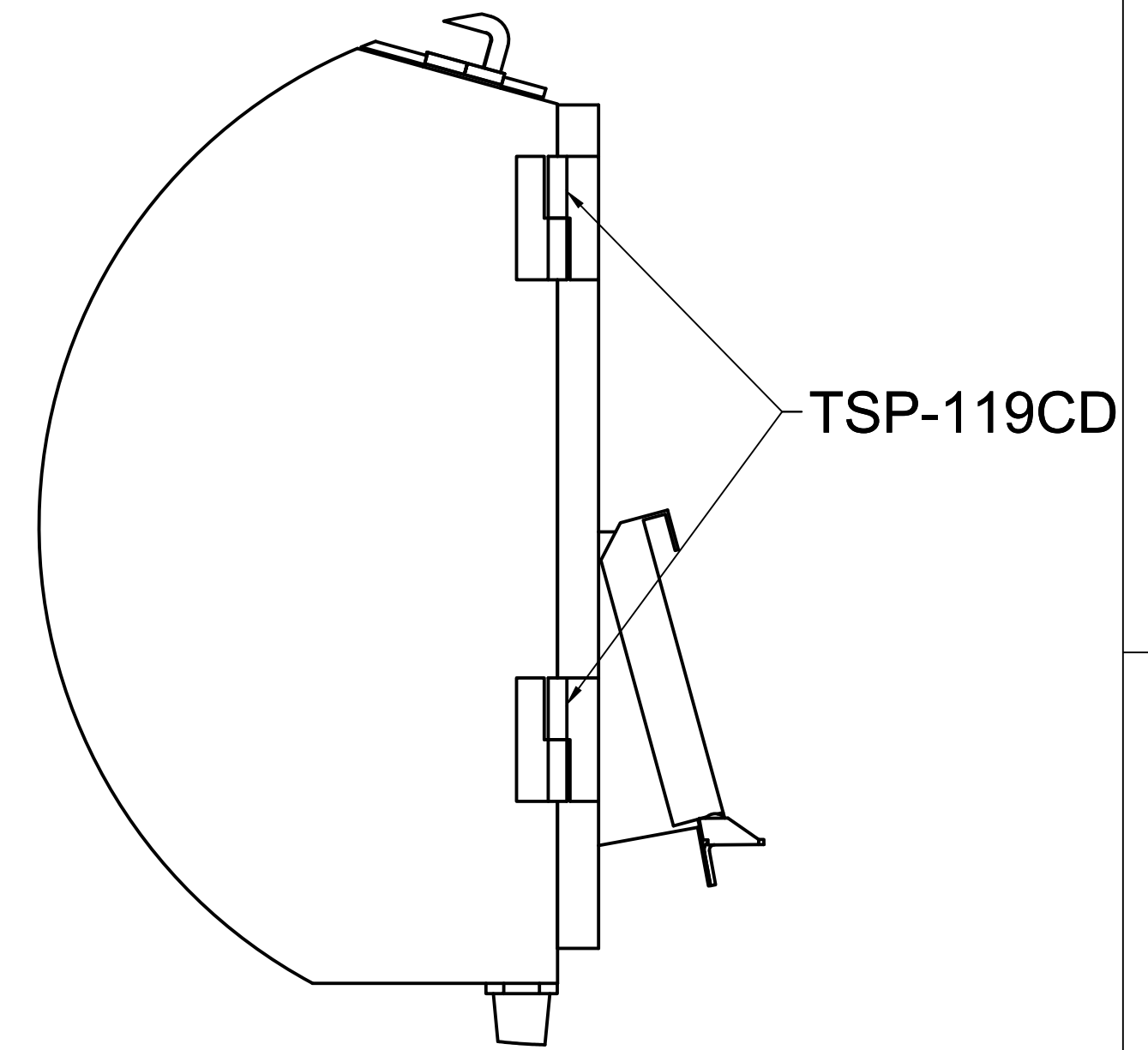


TSP-160: WIRING KIT

ITEM	QTY	DISCRIPTION
19	1	TERMINAL BLOCK
18	1	JUNCTION BOX
17	1	UTILITY BOX COVER

PARTS LIST

ITEM	QTY	PART NUMBER	DESCRIPTION
16	2	TSP-124	SPRING LOADED CATCH & STRIKE
15	4	TSP-111	4" ADJUSTABLE PLASTIC LEG
14	2	TSP-134CDR	FEMALE LOADING HINGE PLATE RIGHT
13	2	TSP-134CDF	FEMALE LOADING HINGE PLATE LEFT
12.1	1	TSP-104	THERMOSTAT DIAL
12	1	TSP-103	60-250 DEGREE F THERMOSTAT
11	2	TSP-119CD	CD45 MAIN DOOR STAINLESS STEEL SLEP HINGES
10	1	TSP-112	CD45 BLOWER WHEEL FAN
9	1	TSP-120	HIGH TEMPERATURE LIMIT SWITCH
8	1	TSP-102	725W FINNED STRIPED HEATER
7	1	TSP-135CD	PERFORATED INTERIOR STAINLESS STEEL LINER FOR CD-45
6	1	TSP-148	CD45 AIR DUCT
5	1	TSP-101	ON/OFF ROCKER SWITCH
4.1	1	TSP-123	MOTOR SUPPORT BRACKET
4	1	TSP-100-A	MODEL CD-45 1/70 HP ELECTRIC MOTOR
3.1	2	TSP-134R	MALE LOADING HINGE PLATE LEFT
3	1	TSP-105CD/TSP-107 CD	CD45 RIGHT LOADING DOOR WITH HINGE & HANDLE
2.2	1	TSP-130	DOOR HANDLE WITH WASHER & MACHINE SCREW
2.1	2	TSP-134L	MALE LOADING HINGE PLATE RIGHT
2	1	TSP-106CD/TSP-108 CD	CD45 LEFT LOADING DOOR WITH HINGE & HANDLE
1.4	1	TSP-114CD	ACCESS DOOR HINGE RIGHT
1.3	1	TSP-115CD	ACCESS DOOR HINGE LEFT
1.2	2	TSP-119CD	CD45 MAIN DOOR STAINLESS STEEL SLIP HINGES
1.1	1	TSP-153CD	CD45 ACCESS DOOR ASSEMBLY
1	1	TSP-171CD	CD45 MAIN DOOR ASSEMBLY



PROJECT		Chip Machines	
TITLE		CD45	
APPROVED	SIZE	CODE	DWG NO
CHECKED	D		
DRAWN jon spilger		10/24/24	SCALE 1:5
WEIGHT		SHEET 1/1	

PARTS LIST